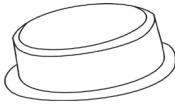

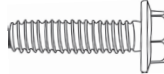

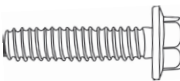
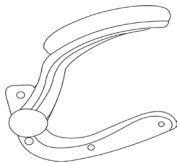
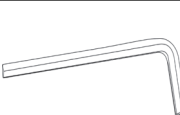


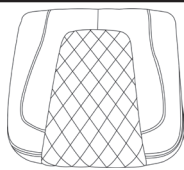
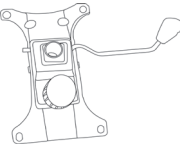


AON

ARCHEUS

ASSEMBLY GUIDE



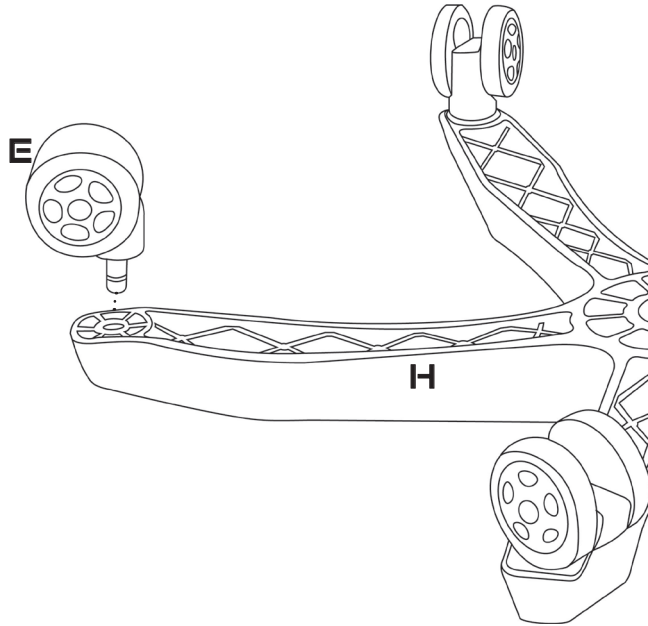
#	PART	QTY	IMAGE	#	PART	QTY	IMAGE
A	HOLE COVER	8		G	CYLINDER	1	
B	SHORT SCREW 20MM	4		H	BASE	1	
C	LONG SCREW 35MM	8		I	ARMS	2	
D	ALLEN WRENCH	1		J	BACK	1	
E	CASTERS	5		K	SEAT	1	
F	CHAIR LIFT	1					

IMPORTANT NOTICE:

PLACE ALL WOODEN PARTS ON A CLEAN AND SMOOTH SURFACE SUCH AS A RUG OR CARPET TO AVOID SCRATCHING THE PARTS.
 CHECK TO BE SURE THAT YOU HAVE ALL PARTS AND HARDWARE.
 REMOVE ALL WRAPPING MATERIALS, INCLUDING STAPLES & PACKING STRAPS BEFORE YOU START TO ASSEMBLE.
 KEEP ALL HARDWARE PARTS AND PACKAGING OUT OF REACH OF CHILDREN.
 TWO PERSON ASSEMBLY RECOMMENDED.

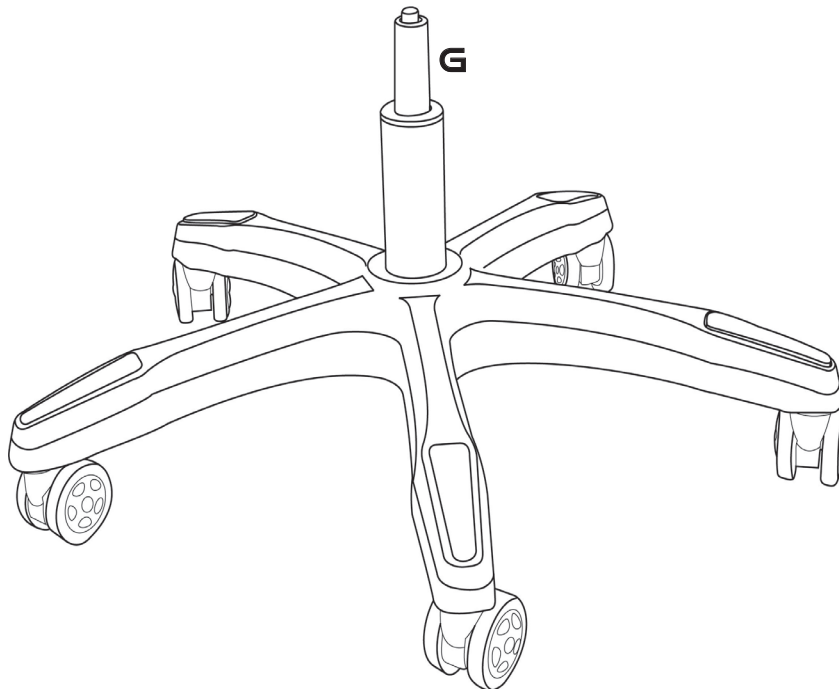
STEP 1:

ATTACH CASTERS (E) TO CHAIR BASE (H) BY SLIDING THEM INTO THE HOLES ON THE UNDER SIDE OF THE BASE.



STEP 2:

SLIDE CYLINDER (G) INTO HOLE ON TOP OF THE BASE (H). CYLINDER CLICKS INTO PLACE, NO TOOLS ARE REQUIRED.

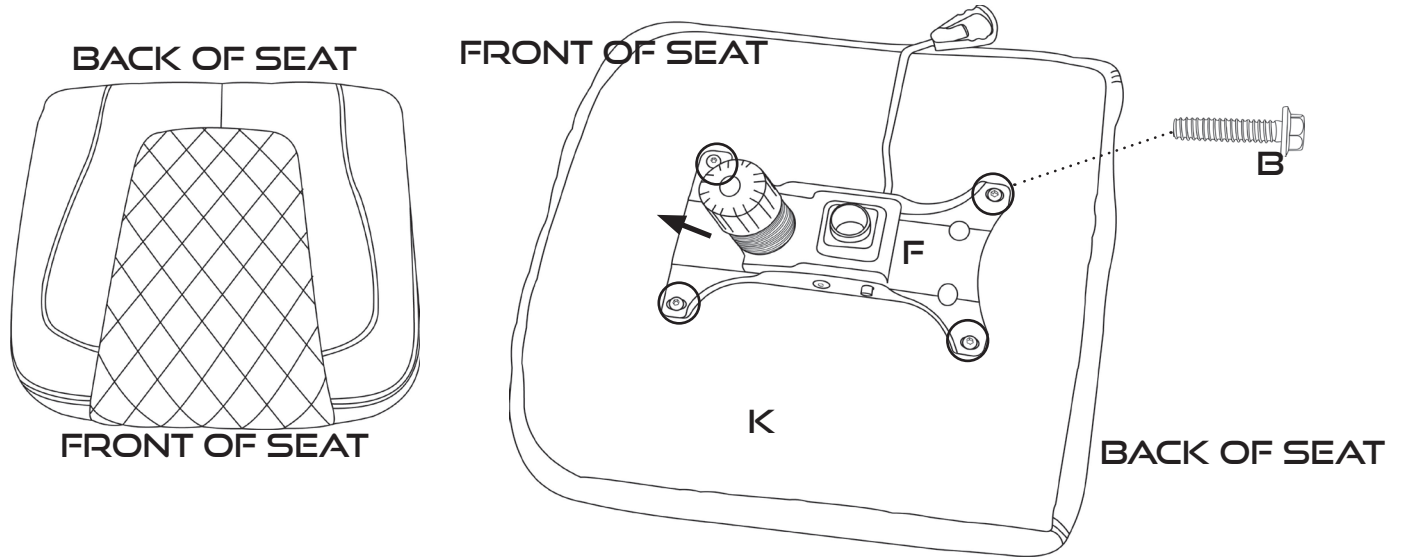


MISSING PARTS? ASSEMBLY
QUESTIONS?
CALL US AT 1-866-816-3822 OR EMAIL
HELP@REGENCYOF.COM FOR IMMEDI-
ATE ASSISTANCE.

THANK YOU FOR YOUR
PURCHASE! HAPPY WITH
YOUR CHAIR?
BE SURE TO LEAVE A REVIEW
WITH YOUR RETAILER!

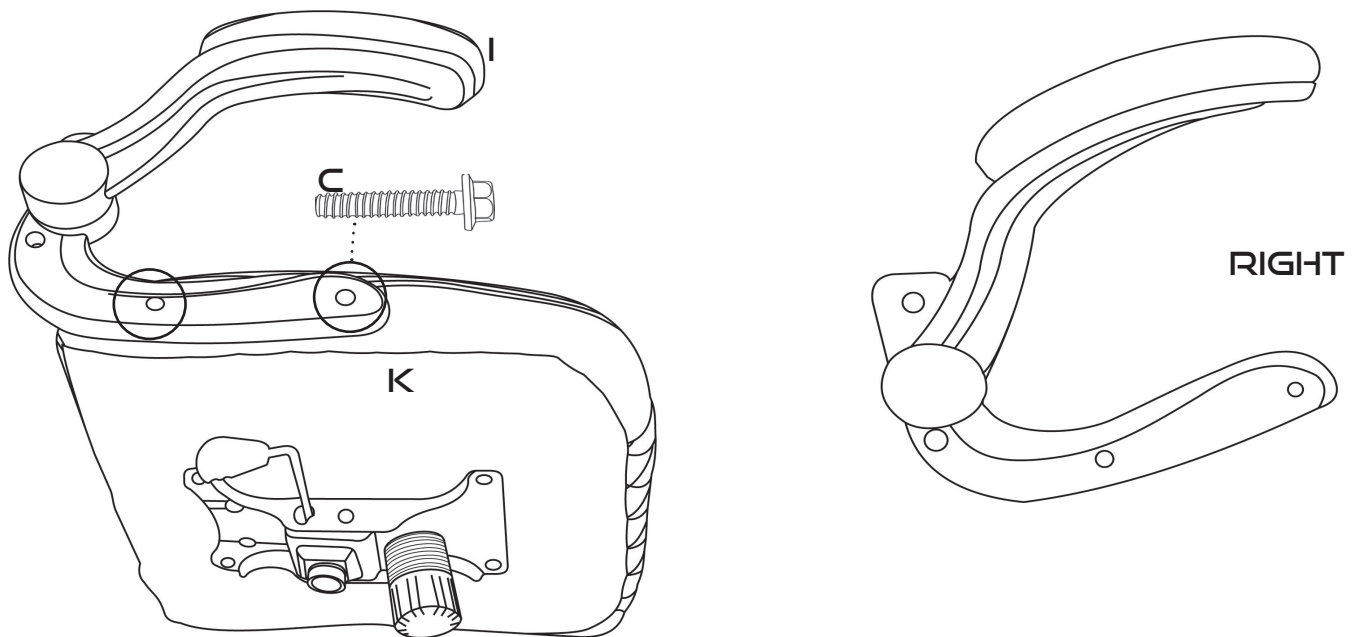
STEP 3:

PLACE CHAIR LIFT (F) ON BACK OF THE CHAIR SEAT (K), MAKING SURE TO ALIGN THE ARROWS ON THE LIFT WITH THE FRONT OF THE SEAT. ATTACH USING 4 SMALL SCREWS (B).



STEP 4:

USING 2 LONG SCREWS [C] PER ARM, ATTACH ARMS (I) TO SEAT.

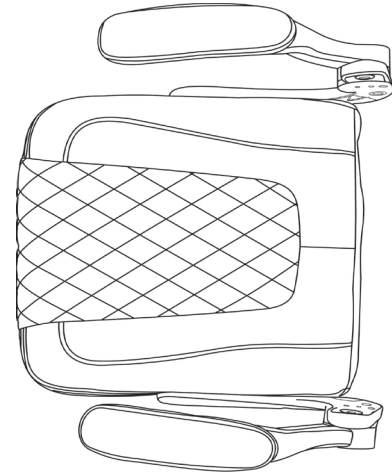
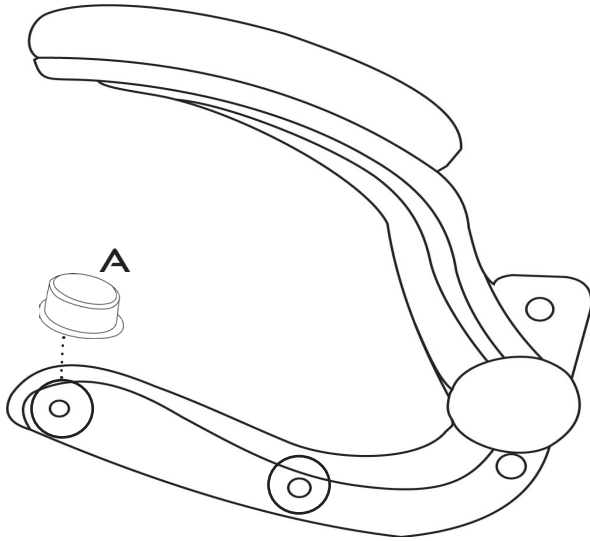


MISSING PARTS? ASSEMBLY
QUESTIONS?
CALL US AT 1-866-816-3822 OR
EMAIL HELP@REGENCYOF.COM FOR
IMMEDIATE ASSISTANCE.

THANK YOU FOR YOUR
PURCHASE! HAPPY WITH
YOUR CHAIR?
BE SURE TO LEAVE A REVIEW
WITH YOUR RETAILER!

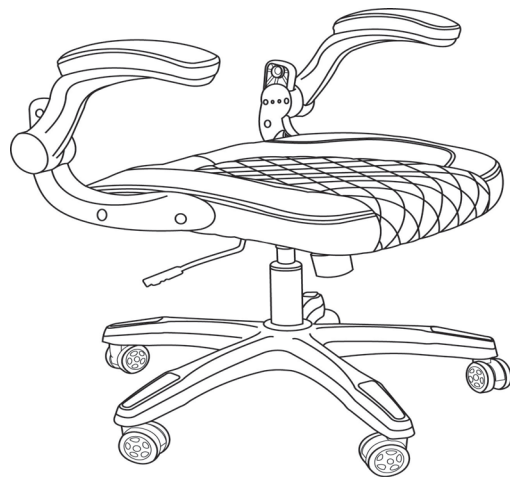
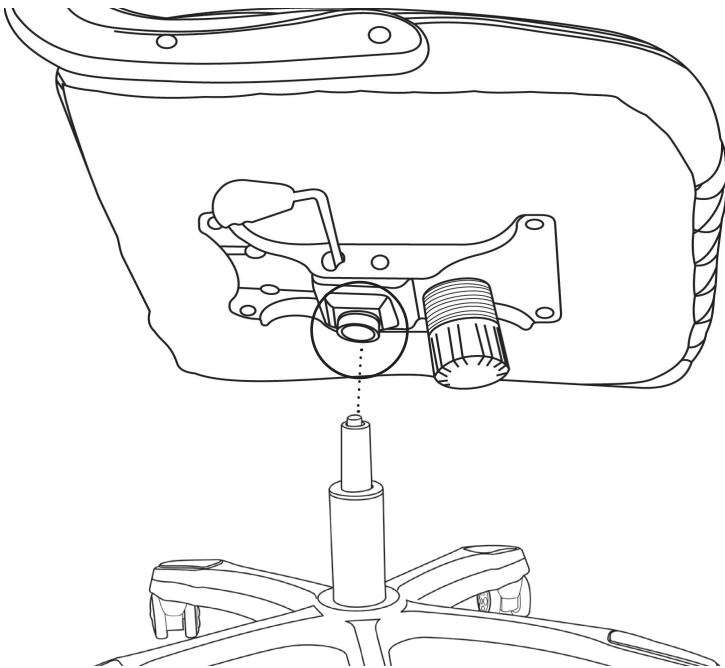
STEP 5:

USE 2 HOLE COVERS (A) TO COVER SCREWS.



STEP 6:

PLACE ASSEMBLED ARMS AND SEAT ONTO THE CYLINDER AND BASE.

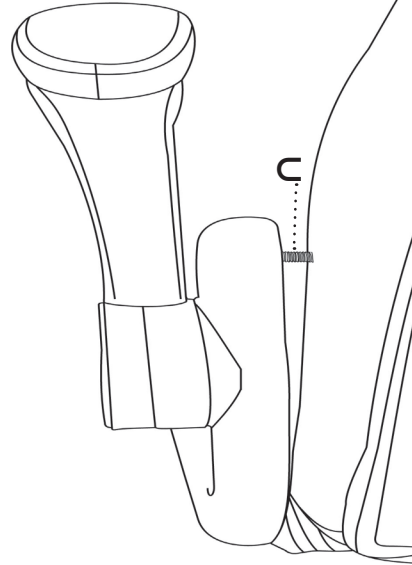
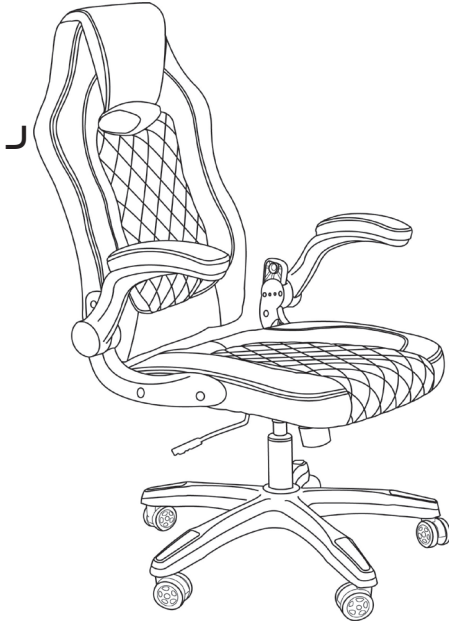


MISSING PARTS? ASSEMBLY
QUESTIONS?
CALL US AT 1-866-816-3822 OR
EMAIL HELP@REGENCYOF.COM FOR
IMMEDIATE ASSISTANCE.

THANK YOU FOR YOUR
PURCHASE! HAPPY WITH
YOUR CHAIR?
BE SURE TO LEAVE A REVIEW
WITH YOUR RETAILER!

STEP 7:

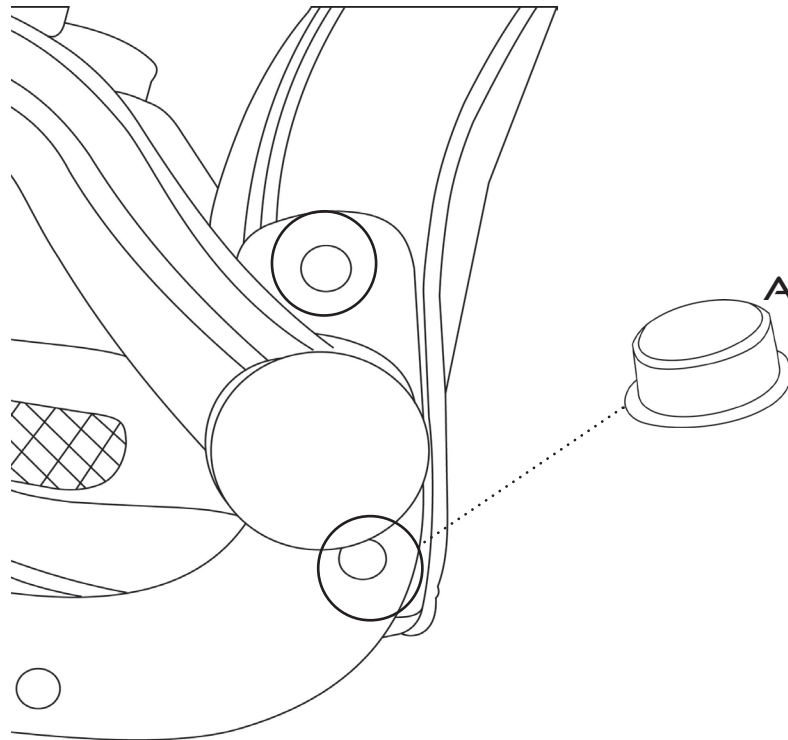
SCREW BACK (J) ONTO SEAT AND ARMS USING 2 LONG SCREWS ONE EACH SIDE OF THE CHAIR.



NOTE:
ASSEMBLY IS EASIEST IF THE TWO BOTTOM SCREWS ARE INSERTED AND SCREWED FIRST, THEN THE TOP TWO.

STEP 8:

COVER SCREW HOLES WITH HOLE COVERS (A).



MISSING PARTS? ASSEMBLY QUESTIONS?
CALL US AT 1-866-816-3822 OR EMAIL HELP@REGENCYOF.COM FOR IMMEDIATE ASSISTANCE.

THANK YOU FOR YOUR PURCHASE! HAPPY WITH YOUR CHAIR?
BE SURE TO LEAVE A REVIEW WITH YOUR RETAILER!

AON ARCHEUS GAMING CHAIR

FEATURES:



COMFORT & SUPPORT



PADDED LUMBAR AND HEADREST WILL KEEP YOU SUPPORTED AND COMFORTABLE.

INDEPENDENT TILT

CONTROL THE SEAT BACK ANGLE, FORWARD TILT AND INFINITE TILT POSITIONING INDEPENDENTLY.



TILT TENSION



ALLOWS USER TO ADJUST THE AMOUNT OF FORCE THAT IT TAKES TO ADJUST THE SEAT BACK ANGLE.

TILT LOCK

LOCKS THE CHAIR'S BACK ANGLE AND INHIBITS IT FROM BEING REPOSITIONED.



SEAT HEIGHT



CHAIR'S SEAT CAN RAISE AND LOWER ALLOWING THE USER'S FEET TO REMAIN FLAT ON THE FLOOR.

SWIVEL TILT LOCK OUT

LOCKS THE CHAIR AND INHIBITS IT FROM BEING REPOSITIONED.



360 DEGREE SWIVEL



CHAIR IS ABLE TO ROTATE 360 DEGREES IN EITHER DIRECTION.

MISSING PARTS? ASSEMBLY QUESTIONS?
CALL US AT 1-866-816-3822 OR
EMAIL HELP@REGENCYOF.COM FOR
IMMEDIATE ASSISTANCE.

THANK YOU FOR YOUR PURCHASE! HAPPY WITH YOUR CHAIR?
BE SURE TO LEAVE A REVIEW WITH YOUR RETAILER!

ITEMS TO PAIR WITH YOUR CHAIR



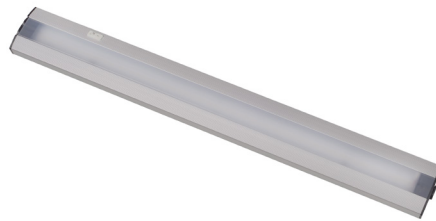
CA2
DOUBLE SCREEN
ARTICULATING MONI-
TOR MOUNT



CD1
REGENCY CENTER
DRAWER



KBARTR
ARTICULATING KEY-
BOARD TRAY



LEDTL24/LEDTL60
REGENCY 24 IN. OR 60
IN. LED TASK LIGHT

THANK YOU FOR YOUR PURCHASE...
PLEASE BE SURE TO LEAVE A REVIEW WITH YOUR RETAILER!
SATISFIED WITH YOUR PURCHASE? BE SURE TO LEAVE US A
REVIEW.

WE APPRECIATE YOUR FEEDBACK!



MISSING PARTS? ASSEMBLY QUESTIONS?
CALL US AT 1-866-816-3822 OR EMAIL HELP@REGENCYOF.COM FOR IMMEDIATE
ASSISTANCE.